

CAST IRON DRAW

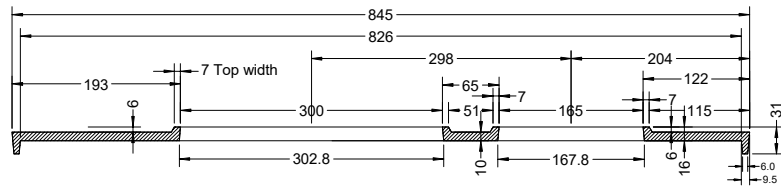
Cast Iron Top Deck with Outside Lip v1.4

Dwg. KG4.4.12.16

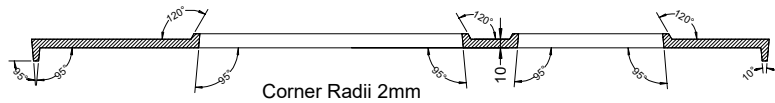
C Pemberton-Pigott

Model KG4 B
Version 1.2
13 Dec 2017

This top deck has a lip and
is bolted to the angle iron.

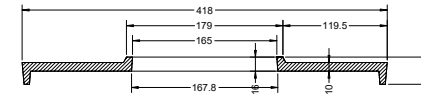
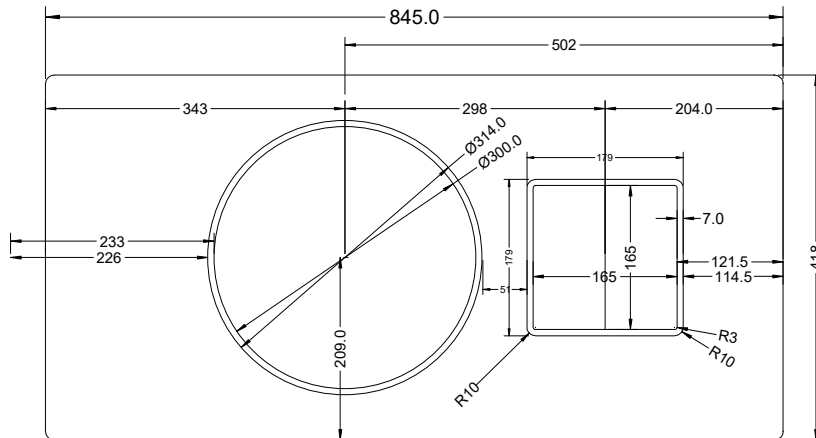


Sections through the centreline

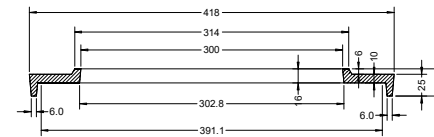


Corner Radii 2mm

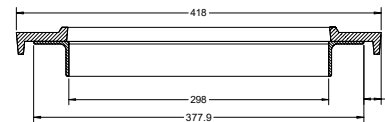
Top View



Section through the
hopper entrance



Section through the
cooking hole



Fit of the top over
the angle iron

Bottom View

